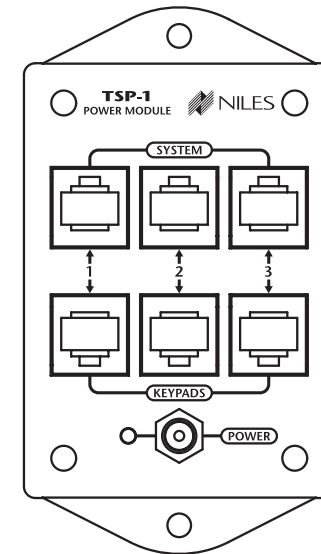


INSTALLATION GUIDE

# TSP-1

---

## IntelliPad®Ci Touch Screen Power Module



### INTRODUCTION

The TSP-1 IntelliPad®Ci Touch Screen Power Module is an auxiliary power and connection device that is required when four or more touch screen keypads are connected to a single Niles MultiZone Receiver or Preampifier. It has been designed to accommodate up to three touch screen keypads and a UL-listed power adapter is included for convenience.



**Niles Audio Corporation**

12331 SW 130 Street Miami Florida 33186 • TEL: (305) 238-4373 FAX (305) 238-0185

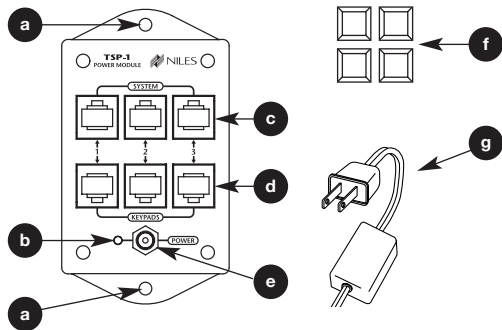
[www.nilesaudio.com](http://www.nilesaudio.com)

©2003 Niles Audio Corporation. All Rights Reserved. Niles, the Niles logo, IntelliPad, Blending High Fidelity and Architecture are registered trademarks of Niles Audio Corporation. All other trademarks are the property of their respective owners. Because we constantly strive to improve our products, Niles reserves the right to change product specifications without notice. The technical and other information contained herein is not intended to set forth all technical and other specifications of Niles products. Additional information can be obtained on-line at [www.nilesaudio.com](http://www.nilesaudio.com) or by calling Niles at 1-800-289-4434. Printed in China. 10/03 DS00345ACN



BLENDING HIGH FIDELITY AND ARCHITECTURE®

## PARTS GUIDE



**Figure 1**

- (a) Screw holes for mounting (screws not included).
- (b) Red LED Power indicator.
- (c) Three outputs connect the TSP-1 to the Keypad input of Niles MultiZone Control System.
- (d) Three inputs accept connections from touch screen keypads.
- (e) Power jack provided for connection of the included DC power adapter.
- (f) Four rubber feet for tabletop mounting.
- (g) UL-listed 16V DC inline power adapter.

## INSTALLATION CONSIDERATIONS

- A TSP-1 connects to the zoned Keypad Input of a Niles MultiZone Control System and a touch screen keypad using CAT5 cable terminated with male RJ-45 connectors (see **Figure 3**).
- Up to three touch screen keypads may be connected to a TSP-1 (see **Figure 3**).

## INSTALLATION

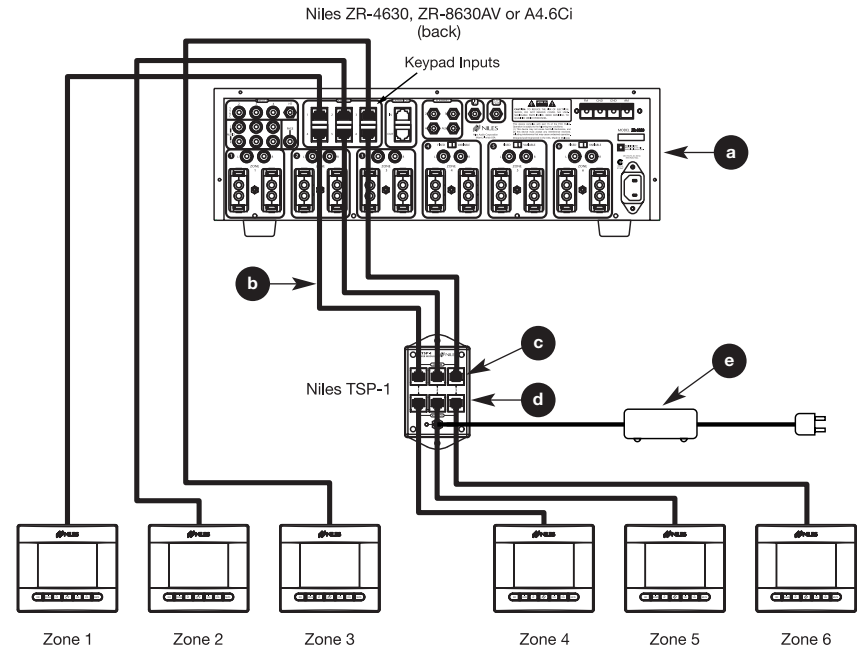
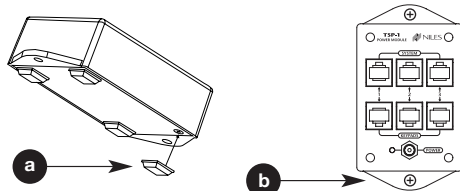
### Steps for connecting three touch screen keypads to a TSP-1

1. Once you have decided on the ideal location for the TSP-1 (generally no greater than one meter in distance from the Niles MultiZone Control System), make sure that the 16V DC power adapter and all Keypad cables are disconnected while mounting. It can be either mounted on the back of a cabinet or on a wall using screws (not included). It can also be placed on a shelf using the included adhesive rubber feet (see **Figure 2**).
2. Terminate and connect all Master Keypads to the input jacks on the TSP-1 (see **Figure 3**).
3. Using a CAT5 cable terminated with RJ-45 connectors, connect the outputs of the TSP-1 to the designated Keypad input on the Niles MultiZone Control System (see **Figure 3**).
4. Connect the included 16V DC inline power adapter's voltage output plug into the TSP-1's power jack and then plug its AC power cord into an unswitched AC outlet (see **Figure 3**). The red LED power indicator will illuminate to confirm proper power connection.

**Figure 2**

### TSP-1 Mounting Options

- (a) Rubber feet for table top mounting.
- (b) The TSP-1 on wall (screws not included).



**Figure 3**

- (a) Niles MultiZone Control System.
- (b) Cable for connection to a Niles MultiZone Control System.
- (c) Output to Keypad Input of a Niles MultiZone Control System.
- (d) Inputs from touch screen keypads.
- (e) 16V DC in-line power adapter plugged into an unswitched AC outlet.

## SPECIFICATIONS

### Power Requirements

- Plug in class 2 transformer
- INPUT: 120V AC 60Hz 16W
- OUTPUT: 16V DC 500mA

### Unit Dimensions

- 2-1/2" wide x 3-1/2" high x 1-1/8" deep