



WHOLE-HOUSE MUSIC IN A BOX

Newly improved 4 Source, 4 Zone MultiZone Receiver with an updated AM/FM tuner, enhanced weather-resistant keypads, and cooler operation

ZR-4 SERIES 2 MULTIZONE RECEIVER KIT

KEY FEATURES

- **Music, Where, When And How You Want It** Enjoy up to four audio sources in up to four different areas (zones)—all at the same time. The kids can “rock out” upstairs while Dad listens to the news in the den and Mom plays her favorite CDs outside by the pool.
- **Everything You Need** The ZR-4 Kit comes with a built-in AM/FM tuner, four weather-resistant keypads, a hand-held remote control, three Infrared MicroFlashers® (for controlling the audio equipment), and a set of rack-mount ears for installing the ZR-4 into an equipment rack.
- **Updated AM/FM Tuner** The improved built-in AM/FM tuner has 20 preset stations that can now be easily modified. This enhancement, plus the fact that the ZR-4 plays the radio without any additional components, places it way ahead of the competition.
- **Enhanced Weather-Resistant Keypads** Improved with better finish plus blue colored LEDs, the ZR-4’s weather-resistant keypads can be installed in places that get wet such as bathrooms, spas, or outside on the patio. The original ZR-4 keypads (Solo-4 IR) are completely compatible with the ZR-4 Series 2.
- **Improved Digital Amplification** The 4-ohm stable digital amplifier now features an enhanced power supply and fan-cooled circuitry. With 40 watts of cool running power on tap for every zone, your music will be clean and clear at any volume level.
- **Hand-Held Remote Control** Provides advanced control for the system’s audio sources as well as the local TV and a second local source, i.e., cable/satellite receiver. It comes preloaded with the commands for the ZR-4 and many popular brands of equipment. Unique commands can be learned by the remote.
- **Plasma/LCD-Proof IR Sensors** Each keypad has a built-in IR sensor that resists interference from flat-panel plasma or LCD TVs. The IR sensor is defeatable for areas with direct sunlight.
- **Voice Paging and Doorbell Chimes** The ZR-4’s paging input enables you to connect a telephone system’s paging output and/or an optional Niles DBI-1 Doorbell Interface so that it automatically pauses the music and plays through the system.
- **Perfectly Calibrated Sound** Independent bass, treble, and variable loudness controls enable you to custom tune each zone for the best sound quality and match room acoustics from zone to zone.
- **Party Mode** With a single press and hold from a keypad the user can turn on the entire house (or a preset number of zones) to listen to the same source, which is ideal for entertaining or setting the mood.
- **Zone Linking** Program up to four zones so that turn-on, source selection, and turn-off work in unison. Each zone retains independent volume, bass, treble and variable loudness control, which is a great feature for a restaurant/bar or for adjacent rooms such as a master bedroom and master bath.
- **Share Your Home Theater Components** The ZR-4 is designed to intelligently manage source sharing with an independent home theater system.
- **Flexible Control Options** The ZR-4 MultiZone Receiver can be controlled by secondary control systems via RS-232 devices and/or discrete infrared commands.
- **Worldwide Compatibility** The ZR-4 is also available in Export and UK (keypads fit 70 mm boxes) versions

Specifications

ZR-4 Series 2 MultiZone Receiver Kit

4 Source, 4 Zone Audio MultiZone Receiver Kit with AM/FM Tuner

Includes: MultiZone Receiver, Rack Mount Ears, Four IR Weather-Resistant Keypads, Hand-Held Learning Remote Control, Three Infrared MicroFlashers®

Packaged as a complete system

Model	Stock Number
Standard	FG01610
Export	FG01611
UK	FG01432*



ZR-4 Standard/Export



ZR-4 UK Series 2*

* Includes 85 mm keypads that fit into standard 70 mm wall boxes.

Specifications

- Safety certifications: CSA-E65 listed, tested under UL6500 standards
- Dimensions: 17 1/4" wide x 1 3/4" high x 13" deep including connection terminals with no wires attached (43.8cm wide x 4.5cm high x 33cm deep)
- 1U rack height

Warranty: Two-year limited

Shipping weight: 15 lbs. (7 Kg)

Features

- Distributes up to four sources to four zones to create a basic audio system
- Built-in AM/FM tuner stores 20 preset stations, provides out-of-the-box radio operation and eliminates the need for additional components, connections, and programming
- Built-in eight-channel digital amplifier delivers 40 watts per zone (20 watts per channel) to each of the four zones
- RS232 and discrete IR control for each of the four zones provide seamless integration with third-party remote control systems
- Preamplifier outputs and a 12V trigger make it easy to add additional power with Niles Systems Integration Amplifiers®
- Paging input accommodates voice announcements from a telephone and/or doorbell tones from the optional Niles DBI-1 interface
- Independent bass, treble and variable loudness tone controls enable the customization of each zone to optimize performance
- Rugged, 1U aluminum front panel and included mounting ears make rack mounting secure while taking up minimal space
- System architecture allows expansion to eight zones via an additional ZR-4 MultiZone Receiver
- The ZR-4 supports an additional keypad in each zone, ideal for large rooms (additional keypads sold separately; requires ZR-KE Keypad Expander)
- Zone linking lets the ZR-4 permanently group up to four zones per chassis: turn-on, source selection, and turn-off all work in unison, yet each zone has independent volume, bass, treble and variable loudness control
- Phantom home theater zone enables source sharing with independent home theater system via global IR input and home theater sync
- Three external audio source inputs
- Gold-plated RCA audio jacks
- Removable speaker connectors accommodate up to 16-gauge wire
- 75 ohm FM antenna connection, 300 ohm AM antenna connection (AM and FM antennas included)
- RJ-45 keypad connections use T-568A CAT-5 termination
- Removable two-wire IEC line cord

Solo®-4 IR Weather Resistant Keypad

- Provides control for the ZR-4's built-in tuner and up to three additional sources. Controls source selection and local zone volume, muting and turn off. Can also turn the entire system on or off with a single press of a button
- Weather-resistant design enables installation in spas, showers or outdoor areas
- Features an integrated plasma/LCD-proof IR sensor
- Improved design with better finish and blue colored LEDs
- Includes assorted laser-etched buttons for custom labeling of keypad
- Dimensions: Standard version fits 1-gang electrical box
- UK version includes 85 mm keypads that fit into standard 70 mm square wall boxes.

R-6L Hand-Held Learning Remote Control

- Provides advanced control for the system's audio sources as well as the local TV and associated cable/satellite receiver. It comes preloaded with the commands for the ZR-4 as well as many popular brands of equipment. The R-6L can quickly learn almost any unique codes and has the ability to create IR sequences.

Parts Guide
ZR-4 Series 2 MultiZone Receiver
 Front View

RACK-MOUNT EARS
 Two rack-mount ears (included) secure the ZR-4 when installed in an equipment rack (includes mounting hardware).

BUILT-IN AM/FM TUNER
 High-quality radio reception without any additional components, connections, or programming.

FRONT PANEL CONTROLS
 Convenient front-panel buttons operate the AM/FM tuner, set favorite preset stations into memory, and perform system configuration.

ZONE ON/OFF LED'S
 Illuminate whenever a zone is on and active. Also provide diagnostic information for troubleshooting.

MAIN POWER SWITCH
 Mechanical latching power switch glows white to indicate the unit is in standby mode and ready to operate.

BACKLIT LCD DISPLAY
 Bright, 16-character LCD display for configuring the ZR-4. Also displays the current AM/FM preset station, band, and station tuning information.


ZR-4 Series 2 MultiZone Receiver
 Rear View

EXPANSION PORT
 Links two ZR-4s together to create an eight zone system.

HP FLASHER OUTPUT
 Connect an optional Niles IRB-1 High Output IR Flasher (controls a stack of components with just one flasher).

SPEAKER CONNECTIONS
 Four stereo speaker connections (one for each zone) feature removable connectors that accommodate speaker wire up to 16 AWG in size.

FLASHER OUTPUTS
 Connect the included IR MicroFlashers® and control up to three source components.

HOME THEATER SYNC
 Enables sharing of components with an independent home theater. When the home theater receiver is on, the ZR-4 will stay active (even if all zones are off) and execute the appropriate 12V and IR functions.

PREAMP OUTPUTS
 Connect an external power amplifier for a zone that requires additional power such as very large rooms or outdoor applications. Assigned to Zone 4, the preamp outputs can be switched between fixed or variable levels.



12V CONTROL OUTPUT
 Automate power turn-on and turn-off of connected components such as a Niles Systems Integration Amplifier®.

ANALOG AUDIO INPUTS
 Gold-plated RCA jacks connect up to three stereo audio sources.

IEC POWER RECEPTACLE
 Features a removable power cord for added flexibility when working in tight spaces.

KEYPAD PORTS
 Connect each zone's Master Keypad via a home run of CAT-5 cable.

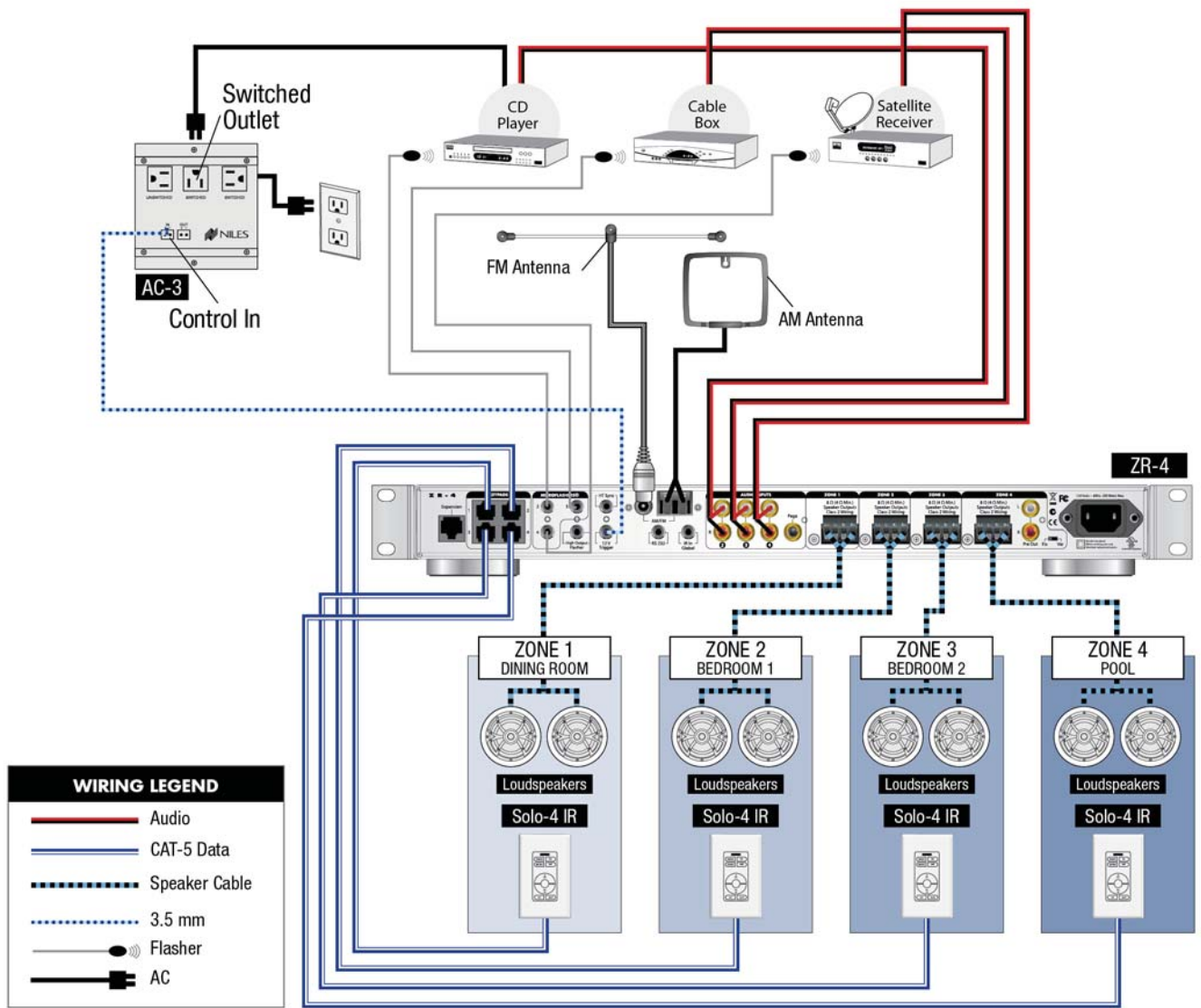
RS-232 INPUT
 Monitor and control the ZR-4 using an external RS-232 control system.

IR GLOBAL INPUT
 Control the ZR-4 and its connected sources using a secondary control system such as a Niles iC2™.

PAGING INPUT
 Connect a telephone system and/or Niles DBI-1 Doorbell Interface to provide paging throughout the home using the ZR-4 system.

System Configurations

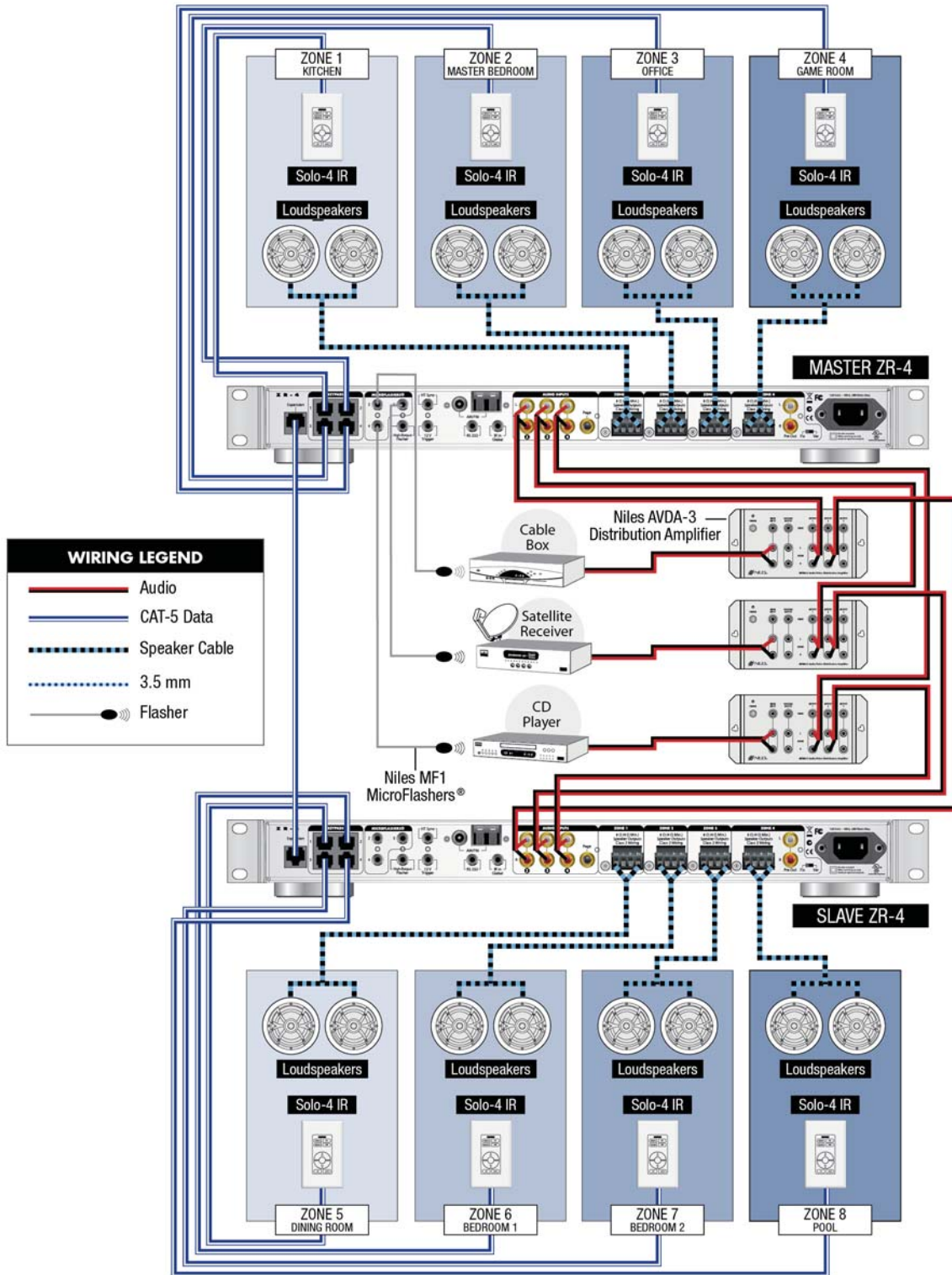
SYSTEM CONFIGURATION 1
Stand-Alone ZR-4 Series 2 MultiZone Receiver Kit



System Configurations

SYSTEM CONFIGURATION 2

Expanding To Eight Zones Using Two ZR-4 Series 2 Kits



System Configurations

SYSTEM CONFIGURATION 3

ZR-4 Series 2 MultiZone Receiver Integrated With A Home Theater System

