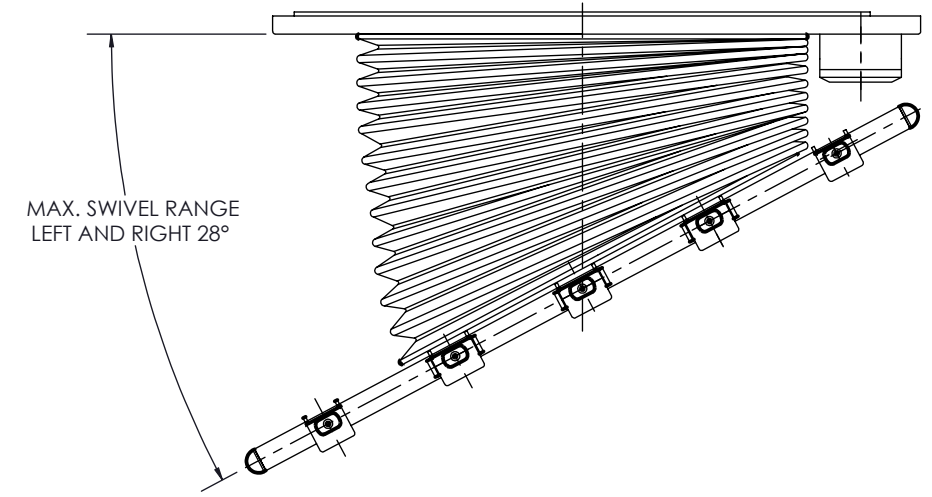


8 7 6 5 4 3 2 1

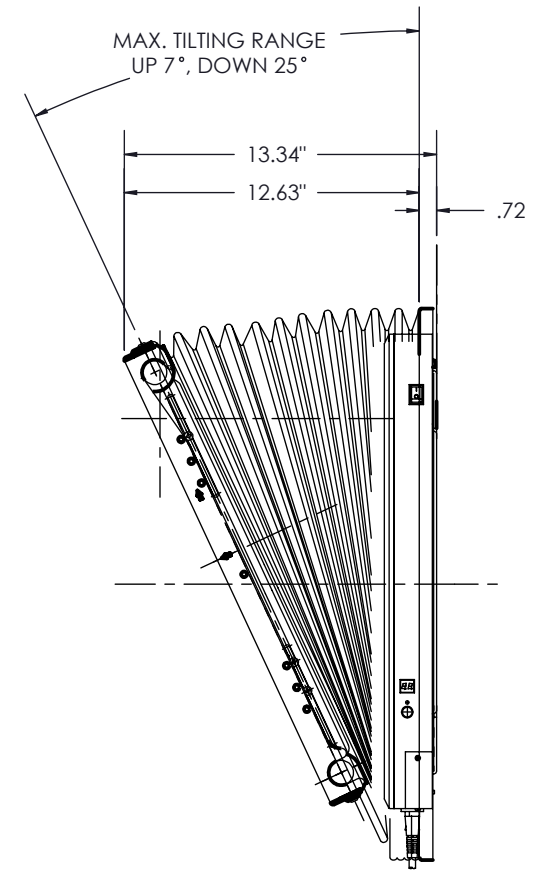
D

D



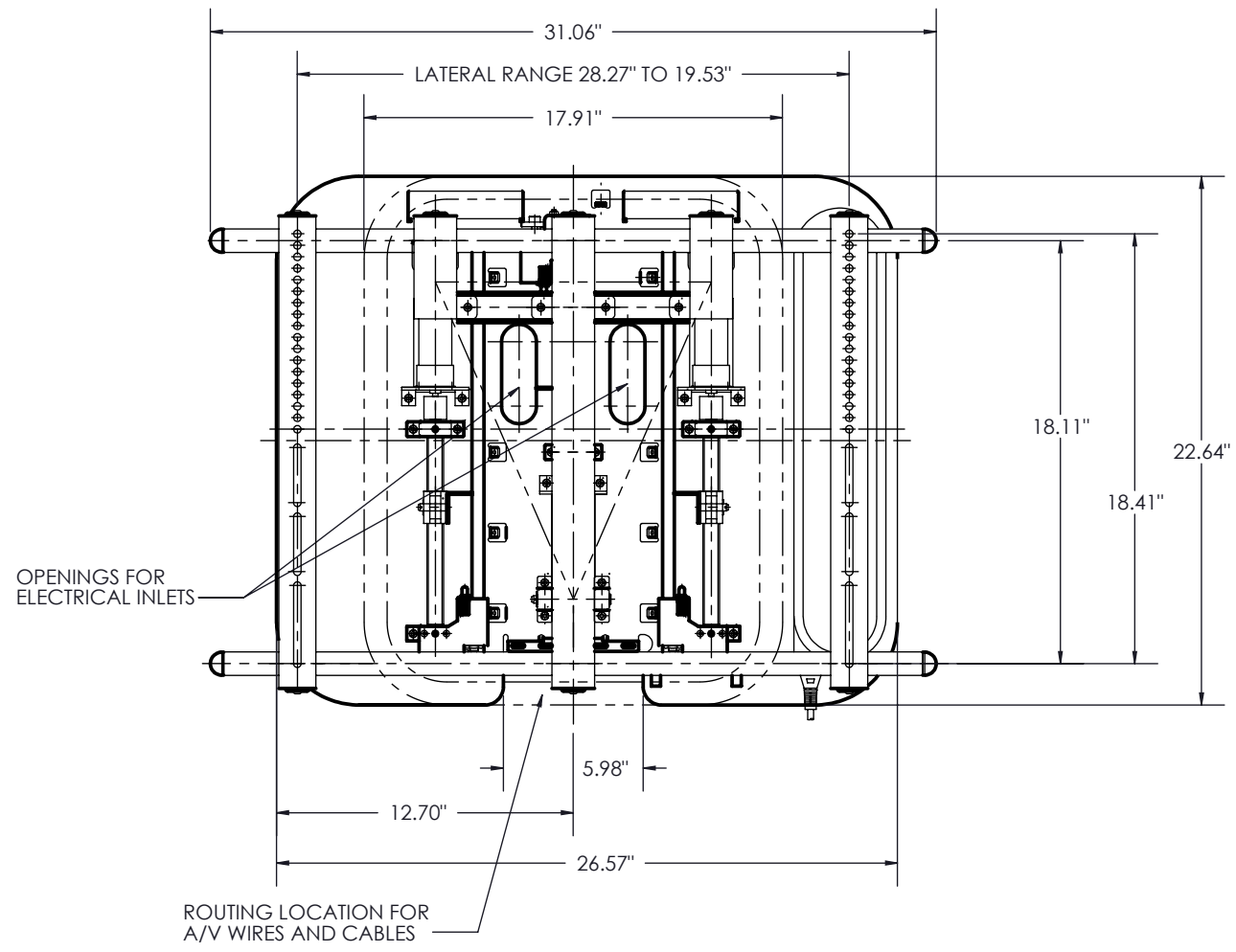
C

C



B

B



A

A

| | | | |
|----------|------|----------|----------------------|
| | NAME | DATE | SANUS SYSTEMS |
| ENGINEER | MRR | 11/08/07 | |
| DESIGNER | MRR | 11/08/07 | TITLE: |
| APPROVED | | | |

NOTES:

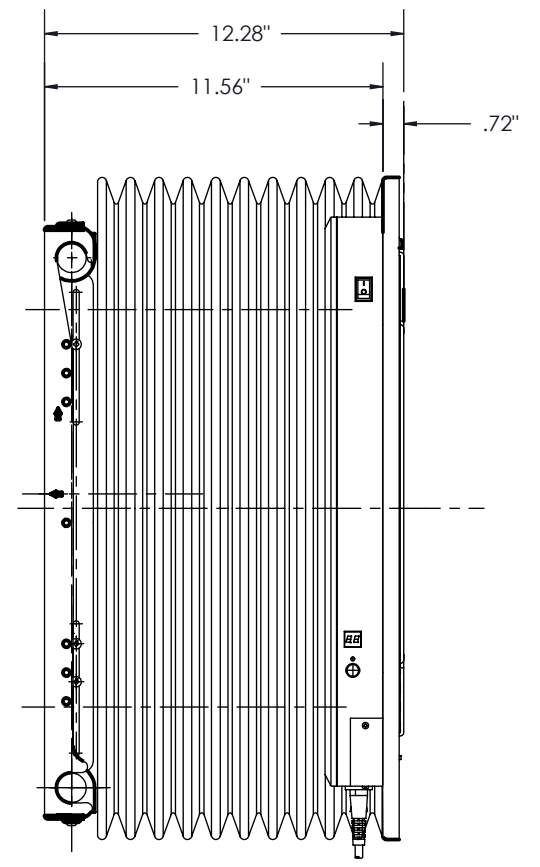
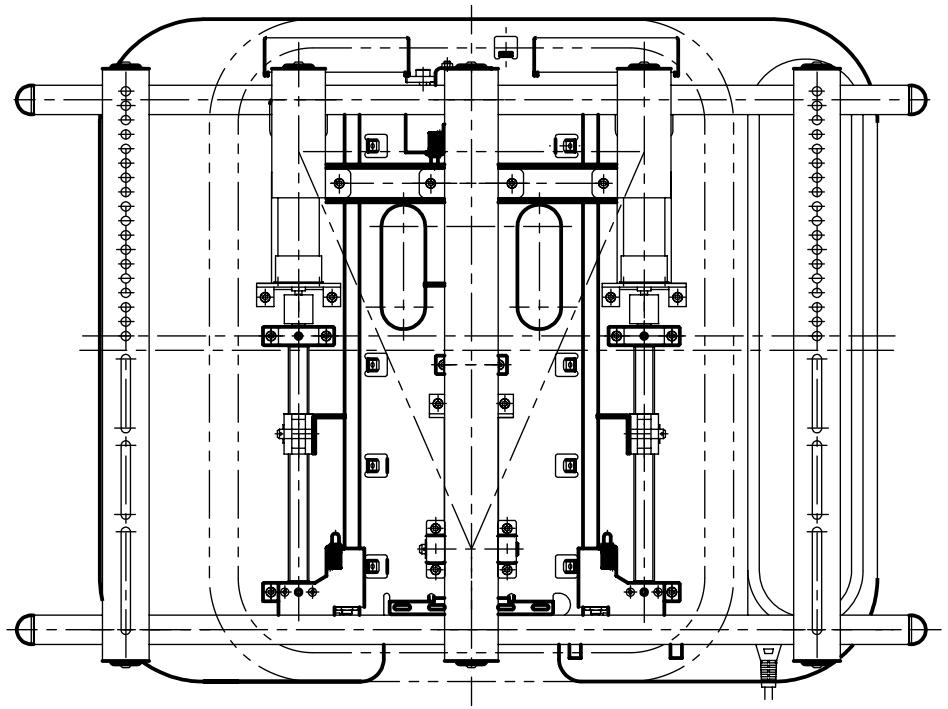
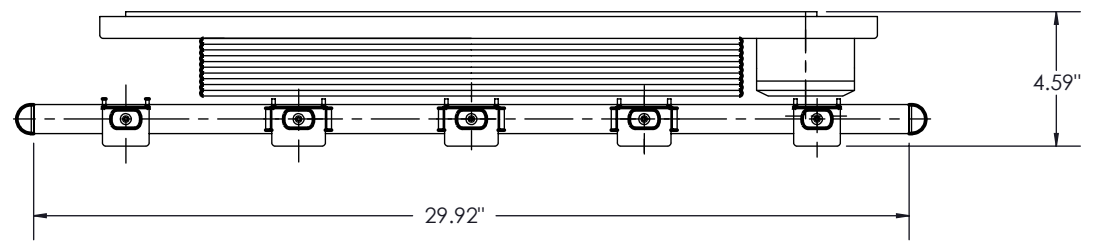
LA112

PROPRIETARY AND CONFIDENTIAL
THE INFORMATION CONTAINED IN THIS DRAWING IS THE SOLE PROPERTY OF SANUS SYSTEMS. ANY REPRODUCTION IN PART OR AS A WHOLE WITHOUT THE WRITTEN PERMISSION OF SANUS SYSTEMS IS PROHIBITED.

8 7 6 5 4 3 2 1

8 7 6 5 4 3 2 1

D
C
B
A



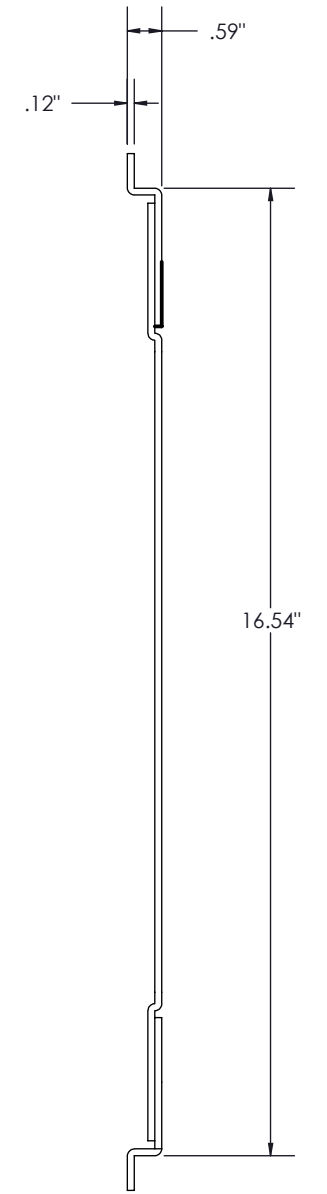
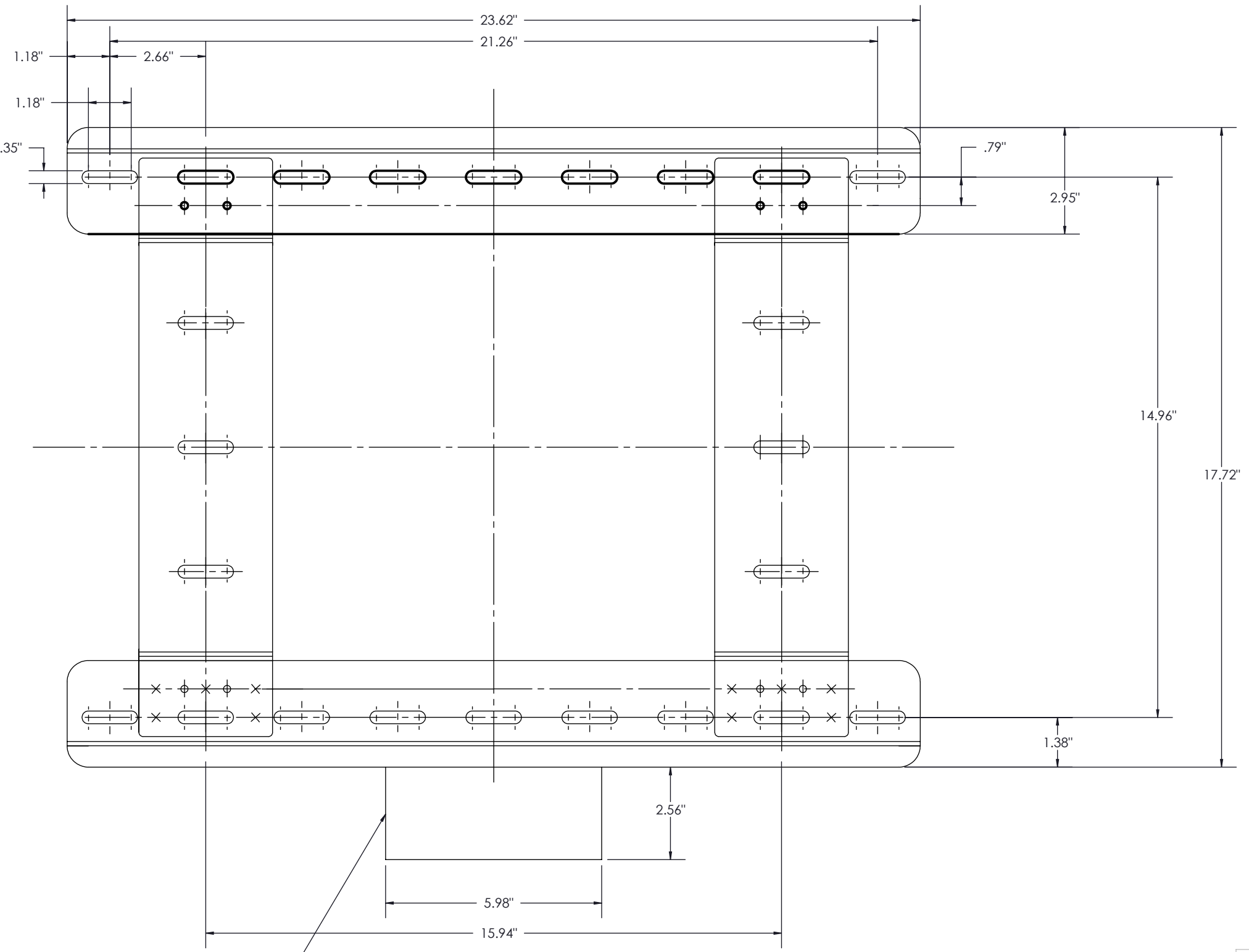
8 7 6 5 4 3 2 1

| | | | |
|----------|------|----------|----------------------|
| | NAME | DATE | SANUS SYSTEMS |
| ENGINEER | MRR | 11/08/07 | |
| DESIGNER | MRR | 11/08/07 | TITLE: |
| APPROVED | | | LA112 |
| NOTES: | | | |
| | | | SHEET 2 OF 3 |

PROPRIETARY AND CONFIDENTIAL
 THE INFORMATION CONTAINED IN THIS
 DRAWING IS THE SOLE PROPERTY OF
 SANUS SYSTEMS. ANY REPRODUCTION
 IN PART OR AS A WHOLE WITHOUT THE
 WRITTEN PERMISSION OF SANUS SYSTEMS
 IS PROHIBITED.

8 7 6 5 4 3 2 1

D
C
B
A



D
C
B
A

| | | | |
|----------|-------------|------------------|----------------------------|
| ENGINEER | NAME MRR | DATE 11/08/07 | SANUS SYSTEMS |
| DESIGNER | MRR | 11/08/07 | |
| APPROVED | | | |
| NOTES: | | | TITLE: LA112 |
| | | | |
| | | | SHEET 3 OF 3 |

PROPRIETARY AND CONFIDENTIAL
THE INFORMATION CONTAINED IN THIS
DRAWING IS THE SOLE PROPERTY OF
SANUS SYSTEMS. ANY REPRODUCTION
IN PART OR AS A WHOLE WITHOUT THE
WRITTEN PERMISSION OF SANUS SYSTEMS
IS PROHIBITED.

8 7 6 5 4 3 2 1