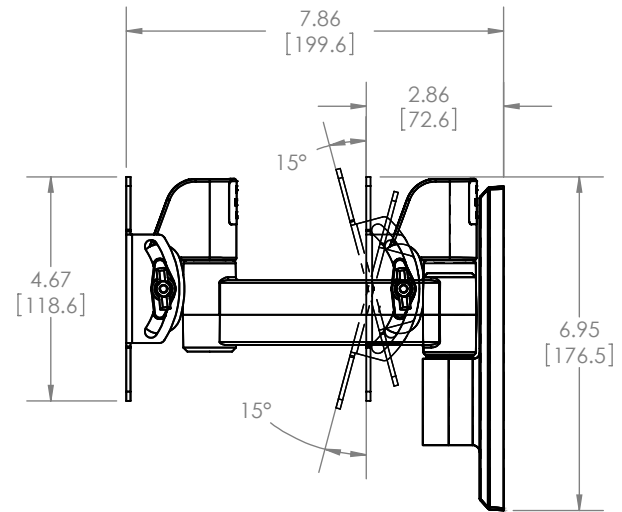
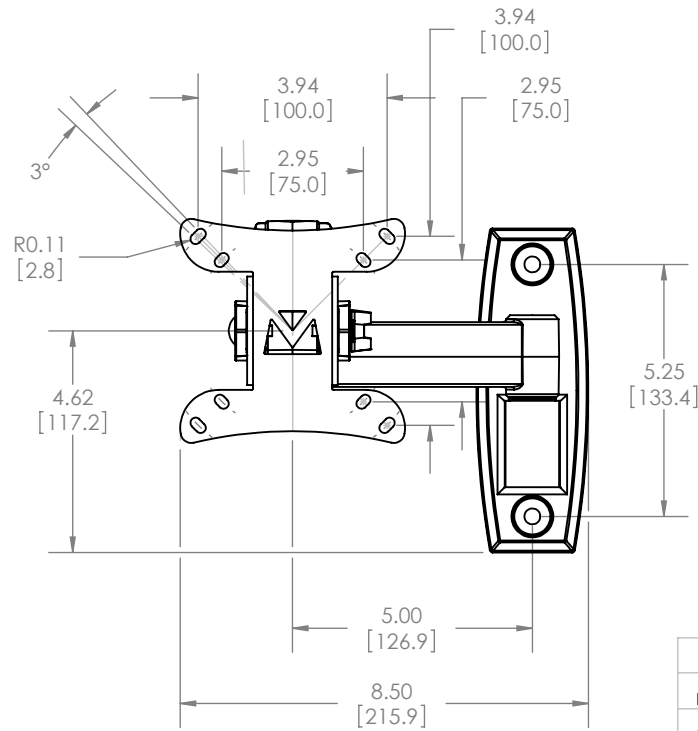
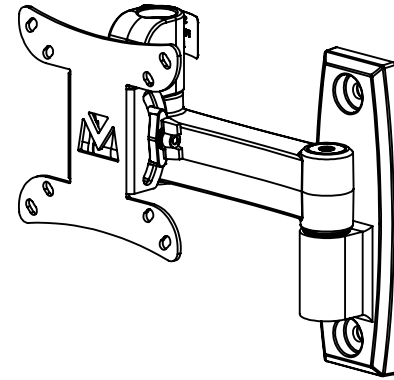
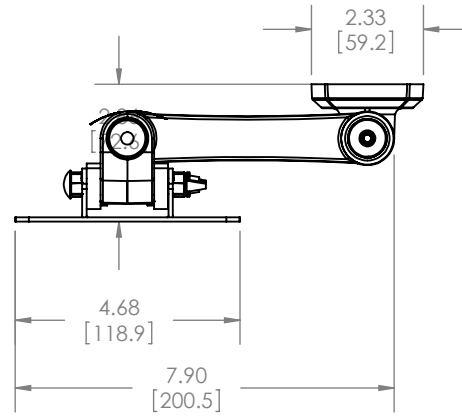


MAXIMUM WEIGHT CAPACITY:
50 LBS.



			SANUS SYSTEMS	
ENGINEER	J BURES	11/19/07	TITLE: SF208-XX	
DESIGNER	JKV	11/20/07		
APPROVED	J BURES	11/20/07		
NOTES:				
TEMPLATE REV.: 04			SHEET 1 OF 1	

THE INFORMATION CONTAINED IN THIS DRAWING IS THE SOLE PROPERTY OF SANUS SYSTEMS. ANY REPRODUCTION IN PART OR AS A WHOLE WITHOUT THE WRITTEN PERMISSION OF SANUS SYSTEMS IS PROHIBITED.